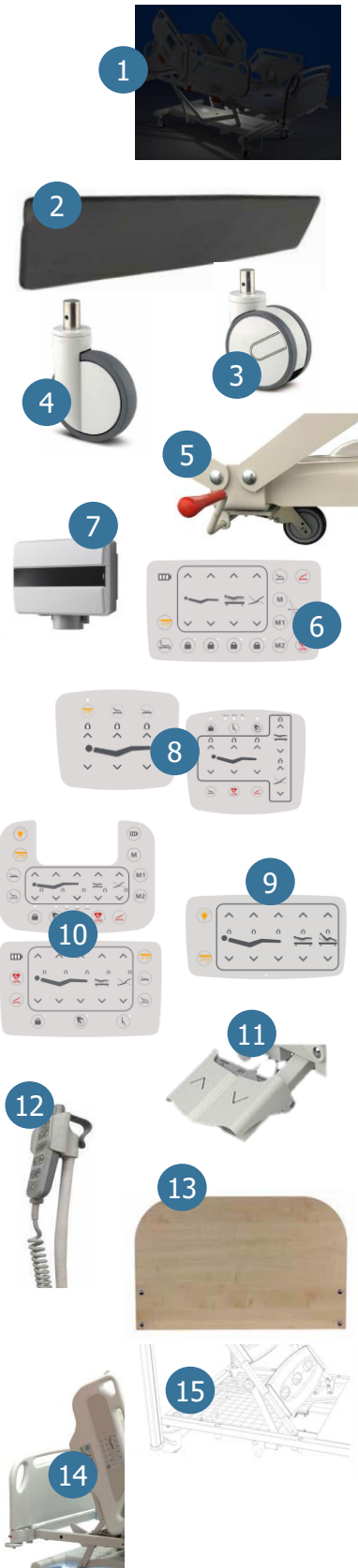


BED ACCESSORIES - SHORT STAY

For hospitals
Full list of our accessories



AHF offers a comprehensive range of accessories for its different medical bed ranges. Below is a complete list below with the corresponding bed ranges.



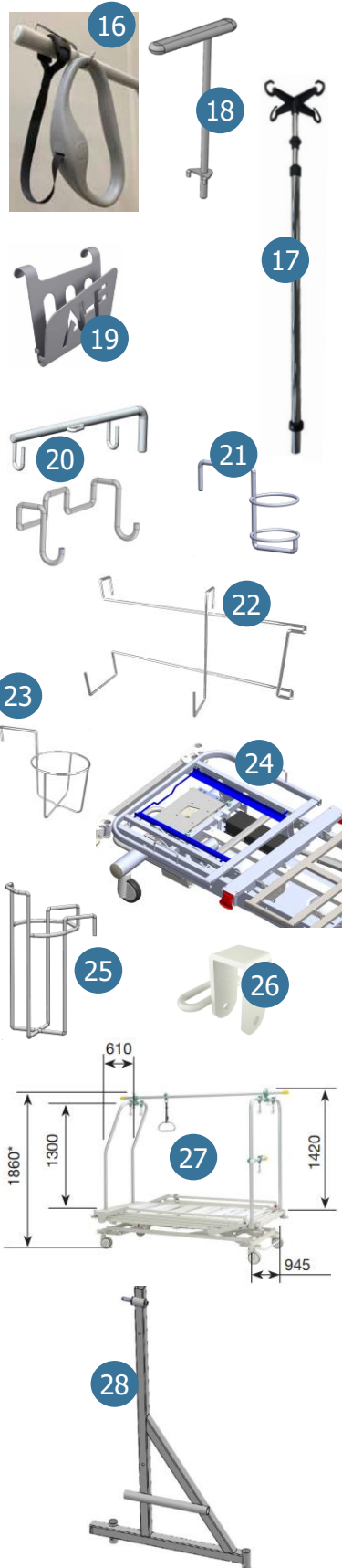
Accessories and references		Compatibility with products	Description & Technical data
1	Night light LSUGHVEILT	MEDIFIT bed ACTILIT bed	<ul style="list-style-type: none"> Description: anti-glare LED night light Standard: 60601-1 certificate Direct current 24V DC (maintenance-free)
2	Set of 2 Foam protection pads LSUGHMBF2	3/4-length rails	<ul style="list-style-type: none"> Description: wraparound protection pads specially designed for AHF 3/4-rails. Easy to fit. Non-slip coating. Sold in pairs (for one bed) Materials: HR31030 foam, 40 mm thick Non-slip vinyl coating (grey) Dimensions: L 1580 x W 380 mm
3	Dual-wheel servo castors diam. 150 mm LSUGHRDG150	MEDIFIT bed ACTILIT bed	<ul style="list-style-type: none"> Description: 150 mm diameter dual-wheel castor with central braking, swivel head with precision ball bearings. Tread width 2 x 15 mm, hardness 87 Shore A Materials: steel sheet support bracket. Metal components stainless steel, grey injection-moulded polyurethane tread
4	Single-wheel servo castors diam. 125 mm LSUGHRDG125	MEDIFIT bed ACTILIT bed	<ul style="list-style-type: none"> Description: 125 mm diameter single-wheel castor with central braking, swivel head with precision ball bearings. Tread width 32 mm, hardness 75 Shore A Materials: steel sheet support bracket. Metal components stainless steel, grey injection-moulded polyurethane tread
5	Directional 5th castor LSUGHR5 / LSUGFHR5M	MEDIFIT bed LSUGFHR5M ACTILIT bed LSUGHR5	<ul style="list-style-type: none"> Description: 5th castor for easier manoeuvring of the bed, 125 diameter single wheel. Activation/de-activation via a bilateral control. Materials: polypropylene wheel body. Grey, non-marking thermoplastic rubber tread
6	Caregiver control panel LSUGHSCSTM	MEDIFIT bed	<ul style="list-style-type: none"> Description: control panel for healthcare personnel, can be hung on the footboard or 3/4-length side rail. All bed functions are available with selective locking, position memory function and emergency position. Materials: plastic casing, light grey RAL 7035. IP54 protection Dimensions: 16 x 23 x 3 cm
7	Bluetooth hand control LSUGHCBT	MEDIFIT bed ACTILIT bed (AHF Remote app.)	<ul style="list-style-type: none"> Description: Bluetooth enabling pairing with the bed via the AHF Remote app (IOS and Android). IP66 protection. Dimensions: 8.8 x 7.6 x 3.2 cm
8	Patient and/or caregiver controls Patient: LSUGHCP1/2BP Caregiver: LSUGHCS1/2BP Pack of 2: LSUGHCS1/2BP	ACTILIT bed half-rails	<ul style="list-style-type: none"> Description: patient and/or caregiver controls integrated directly in the ACTILIT bed's half-rails (patient on the inside, caregiver on the outside of the two bed head half-rails). All bed functions are available with selective locking Materials: light grey plastic RAL 7035. IP54 protection Caregiver membrane dimensions: H 10 x L 11.4 cm Patient membrane dimensions: H 7.5 x L 9.2 cm
9	Patient satellite control panels LSUGHSCPT	Mounted on the ACTILIT backrest	<ul style="list-style-type: none"> Description: caregiver controls integrated directly on the outside of the ACTILIT bed half-rail. All bed functions are available Materials: light grey plastic RAL 7035. IP54 protection Dimensions: H 10.7 x L 18.7 x Th. 2.7 cm
10	Caregiver satellite control panels Standard: LSUGHSCST With screen: LSUGHSCSTLCD	ACTILIT bed	<ul style="list-style-type: none"> Description: caregiver satellite control panels with or without LCD screen. All bed functions are available with selective locking Materials: light grey plastic RAL 7035. Protection IP54 Dimensions: H 15.7 x L 23 x Th. 3 cm
11	Variable height foot pedals LSUGHSCSTP	ACTILIT bed	<ul style="list-style-type: none"> Description: bilateral pedals used to raise or lower the bed (variable height) fitted with a safety cover Materials: cover white epoxy-coated steel, pedal light grey plastic RAL 7035. Protection IP54 Pedal dimensions: H 13.5 x L 19.5 x Th. 3.6 cm
12	Flexible pendant holder LSUGHFLT	MEDIFIT bed ACTILIT bed	<ul style="list-style-type: none"> Description: holder for patient hand control pendant. Mounted on a flexible arm that easily fits into the anchor points provided in the bed frame
13	Set of 2 full melamine panels, 38 mm LSUGHPAR38	MEDIFIT bed ACTILIT bed	<ul style="list-style-type: none"> Description: 38 mm thick rounded melamine panels. Solid panels extracted horizontally. Head and footboard for hospital beds.
14	Fixed headboard LSUGHPANFIXE	ACTILIT bed	<ul style="list-style-type: none"> Description: fixed headboard panel. Panel extracted vertically fastened fastening onto the frame at the head of the hospital bed. Indispensable if you want to use an oxygen cylinder holder.
15	Pillow net LSUGHFILETF	MEDIFIT bed	<ul style="list-style-type: none"> Description: net fastened under the back rest to stop the pillow from falling to the floor. Reduces musculoskeletal disorders for the nursing staff. Black polypropylene elastic net with elastic cord edging Dimensions: L 600 mm x W 300 mm

BED ACCESSORIES - SHORT STAY

For hospitals
Full list of our accessories

AHF

A MEDJUNIC COMPANY



Accessories and references	Compatibility with products	Description & Technical data
16 Trapeze bar with retractable strap winder LSUGHPLP	MEDIFIT bed ACTILIT bed	<ul style="list-style-type: none"> Description: trapeze bar that can be fitted onto the bed at the head or foot end, for ACTILIT. Epoxy-coated steel tube with strap + gripping handle. Strap retractable to adjust it to the right length between the handle and the patient. Before using, remove the trapeze handle from the storage hook. Trapeze bar: compliant with standard EN 60601-2-52. Steel tube diam. 32 mm, overall 139 x 62 cm Retractable strap winder: Plastic + fabric
17 4-hook drip holder LSUGHPTALNM	MEDIFIT bed ACTILIT bed	<ul style="list-style-type: none"> Description: 4-hook drip holder - 2 kg max. per hook. Chrome tube Ø25 (lower part) and Ø18 (upper part). The drip holder should not be used to move a bed, as this would risk damaging it. Dimensions: Closed approx. 920 mm / Open approx. 1540 mm
18 Grip handle 20113030 B16	MEDIFIT bed	<ul style="list-style-type: none"> Description: lifting aid with integrated mounting support. Positioned directly on the bed frame for easy grip and assistance with mobility.
19 Document holder LSUGHPDO	MEDIFIT bed ACTILIT bed	<ul style="list-style-type: none"> Description: document holder (A4 size) easy to fit on the footboard panels. The edges are folded round at the bottom to stop the documents slipping out. The front is cut away to make it easier to take documents out. Weight: 2.6 kg Materials: steel (thickness 1.5 mm) and grey PVC coating RAL 7045 Dimensions: L 281 mm x W 333 mm x D 129 mm
20 Urine bag holder 20113011 LSUGHPSUCLA	20113011 MEDIFIT bed LSUGHPSUCLA ACTILIT bed	<ul style="list-style-type: none"> Description: zinc-plated steel urine bag holder. Max. load: 5 kg Weight 0.2 kg. Fastens onto the bed base Materials: galvanised steel
21 Drainage bottle holder LSUGHPRECLA	ACTILIT bed	<ul style="list-style-type: none"> Description: Drainage bottle holder for hospital bed. Max. load: 5 kg Weight 0.5 kg. Fastens onto the bed base Materials: zinc-plated steel
22 Bedpan holder 20113040	3/4-length rails	<ul style="list-style-type: none"> Description: Bedpan holder for hospital bed. Max. load: 5 kg Weight 0.3 kg Fastens onto the 3/4-rail
23 Urinal bottle holder LSUGHBOCLA	ACTILIT bed	<ul style="list-style-type: none"> Description: Urinal bottle holder for hospital bed. Max. load: 5 kg Weight 0.5 kg Fastens onto the bed base
24 X-ray cassette holder LSUGHPCR	ACTILIT bed	<ul style="list-style-type: none"> Description: X-ray cassette holder that fits underneath the backrest for hospital bed. Dimensions: L 550 x W 390-445 x H 20 mm
25 Oxygen cylinder holder 20113045	ACTILIT bed	<ul style="list-style-type: none"> Description: Oxygen cylinder holder for hospital bed. Max. load: 15 kg Weight 1.6 kg Fastens onto the fixed panel (accessory: LSUGHPANFIXE) Accessory dimensions: L 23.5 x W 17 x H 42 cm Bottle dimensions: Ø 150 mm
26 Large loop strap attachment LSUGH1ASF LSUGH1ASF Large loop strap attachment LSUGH1ASSPEC LSUGH1ASSPEC	MEDIFIT bed LSUGH1ASF LSUGH1ASSPECF ACTILIT bed LSUGH1AS LSUGH1ASSPEC	<ul style="list-style-type: none"> Description: from 1 to 6 strap attachments positionable on either side of the bed as needed, for a strong and effective restraint system. Resistance: 100 kg depending on force applied. Weight of one attachment: 0.3 kg Materials: epoxy-coated steel Dimensions loop opening: Standard strap attachment: 7 x 1.5 cm Large loop strap attachment: 20 x 5 cm
27 Traction system LSUGHCTM	MEDIFIT bed LSUGHCTM ACTILIT bed LSUGHCT	<ul style="list-style-type: none"> Description: traction system consisting of gantries and pulleys to allow suspension of a patient's limbs (mainly arms and legs) Dimensions: see diagram
28 Transport trolley LSUGHCHTRPAN	MEDIFIT bed	<ul style="list-style-type: none"> Description: transport trolley allowing the bed to be moved in a vertical position. With Ø100 mm casters including 2 braked Materials: epoxy-coated steel Dimensions: 1070 x 630 cm

Hygiene & Disinfection

Use only authorised and standardised cleaning products and disinfectants.

- Do not mix products and comply with prescribed dosages and dilutions.

Do not apply cleaning or disinfectant products directly to the bed or accessories; apply the product to a cloth or other cleaning item and respect the drying time.

- Recommended products: simple detergents, a 97% dilution of 9 chlorometric degree bleach, products complying with standards NF EN 1040 / NF T 72-152 / NF EN 1275 / NF T 72-202 detergents containing active ingredients such as N-decyl-N, N-dimethyl-1-decanaminium chloride